

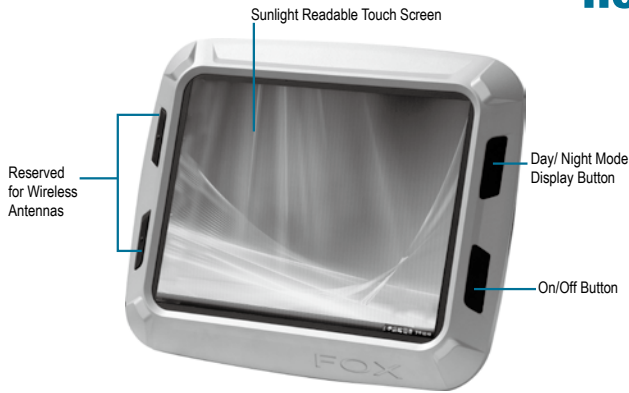
FOX-122

12" Multi-Purpose & Water-Proof Panel PC with Intel® Core™ 2 Duo Processor

04

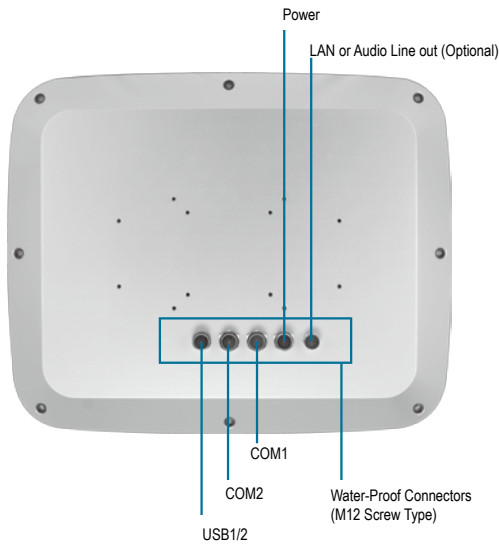
FOX Series - Multi-Purpose and Water-Proof Solutions

new



Features

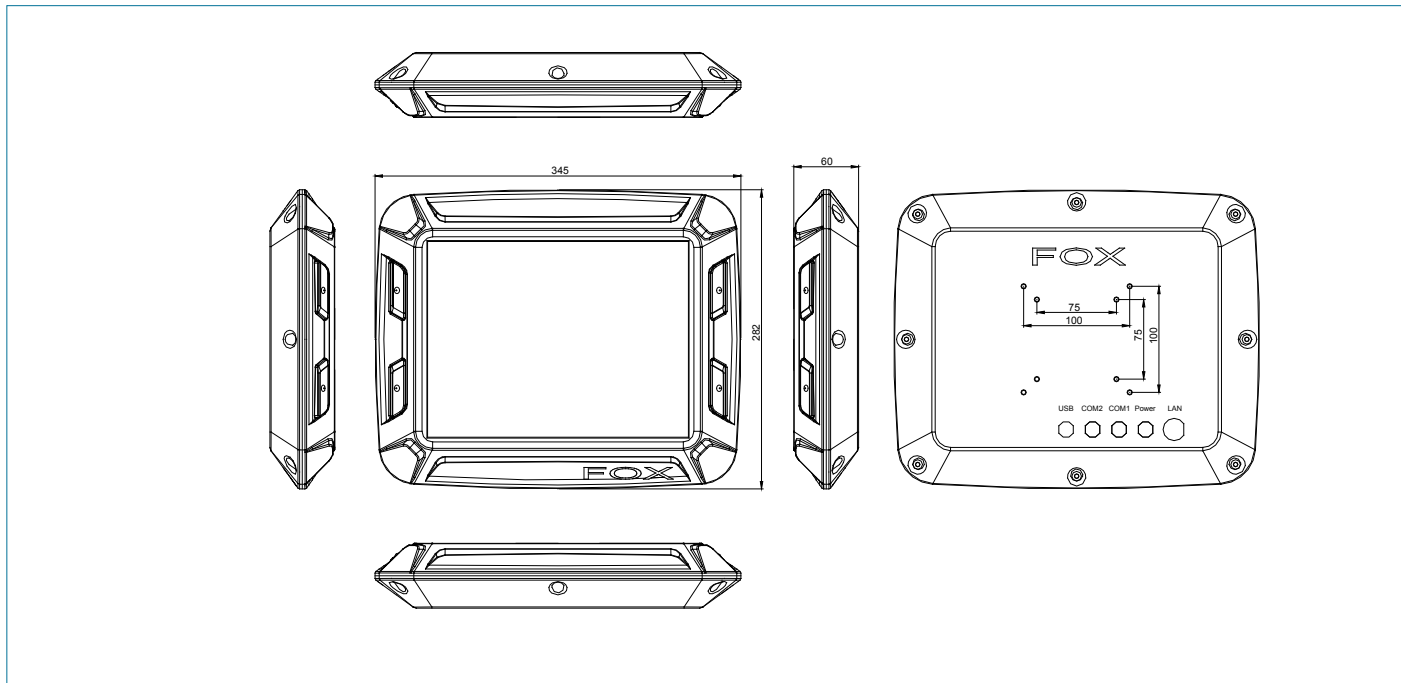
- Onboard Intel® Core™ 2 Duo Processor
- 12.1" SVGA Color TFT LCD Display
- IP-65 Water-Proof Sealing Enclosure
- Sunlight Readable Display With Low Reflection Touch Panel
- Windows® 2000, Windows® XP Pro, Windows® XP Embedded Support
- Day and Night Mode Display For Power Saving
- Anti-Freeze Operation
- Ideal for Vehicle Application
- Water-Proof I/O Connectors (IP-67 Rating)
- Supports Wireless LAN with Dual Antennas (Optional)



Specifications

System	
Processor	Intel® Core™ 2 Duo U7500 1.06GHz Processor
System Memory	DDR II SODIMM x 1, Max. 2GB
LCD/CRT Controller	Intel® 945GM
Ethernet	10/100/1000Base-TX, RJ-45 x 1(optional)
I/O Port	RS-232 x 1, RS-232/422/485 x 1, USB2.0 x 2 Audio Line-out (optional)
Storage Disk	2.5" Hard Disk Drive bay (Anti-vibration) / CompactFlash™ (internal)
Expansion Slot	Mini-PCI Slot x 1 (internal)
OS Support	Windows® 2000, Windows® XP, Windows® XP Embedded
Mechanical	
Construction	Sealed metal enclosure
Color	Silver Gray
Mounting	VESA 100/ 75mm
Dimension	13.58" x 11.1" x 2.36" (345mm x 282mm x 60mm)
Carton Dimension	20.24" x 9.72" x 20.71" (514mm x 247mm x 526mm)
Gross weight	12.1 lb (5.5 Kg)
Net Weight	9.9 lb (4.5Kg)
Environmental	
Operating Temperature	-4 °F ~ 131 °F (-20°C ~55°C)
Storage Temperature	-4 °F ~140 °F (-20°C~60°C)
Operating Humidity	10 to 90% @ 40°C, non-condensing
Vibration	3G Random Operation, 5~500Hz
Shock	30G peak acceleration (11m sec. duration) / operation
Safety	All sides of IP-65 Certificated
EMC	CE/FCC Class A
Power Supply	
DC-DC input	Input Range: 9V~30VDC
LCD	
Display Type	12.1" TFT- LCD
Max. Resolution	800 x 600
Max. Color	262K colors
Dot Size	0.3075 x 0.3075
Luminance (Typical)	450 cd/m ²
View Angle	140°(H)/110°(V)
Back Light MTBF (Hours)	50,000
Touchscreen	
Type	8-wire, Low Reflection Analog Resistive/ 5-wire, Analog Resistive
Resolution	2048 x 2048
Light Transmission	> 74% (8-wire analog resistive) > 80% (5-wire analog resistive)
Lifetime	1 million activations (8-wire analog resistive) 35 million activations (5-wire analog resistive)

Dimension Unit: mm



Ordering Information

- **TF-FOX-122ST-A1-1110**
Intel® Core™ 2 Duo 1.06GHz MPWP Panel PC with 12" LCD, 1GB RAM, GigaLAN Ethernet
- **TF-FOX-122ST-B1-1110**
Intel® Core™ 2 Duo 1.06GHz MPWP Panel PC with 12" LCD, 1GB RAM, Audio line out
- **TF-FOX-122HTT-A1-1110**
Intel® Core™ 2 Duo 1.06GHz MPWP Panel PC with 12" LCD, 1GB RAM, GigaLAN Ethernet, Touch Screen
- **TF-FOX-122HTT-B1-1110**
Intel® Core™ 2 Duo 1.06GHz MPWP Panel PC with 12" LCD, 1GB RAM, Audio line out, Touch Screen
- **TF-FOX-122STT-A1-1110**
Intel® Core™ 2 Duo 1.06GHz MPWP Panel PC with 12" LCD, 1GB RAM, GigaLAN Ethernet, L/R Touch Screen
- **TF-FOX-122STT-B1-1110**
Intel® Core™ 2 Duo 1.06GHz MPWP Panel PC with 12" LCD, 1GB RAM, Audio line out, L/R Touch Screen

Accessories in Packing

- **1700090208**
COM (D-SUB) Cable with Waterproof M12 Connector (FOX series)
- **1709080251**
Two USB Y Cables with Waterproof M12 Connector (FOX series)
- **M990FOX001**
3-pin Water-proof Cap Connector for DC-in or Audio Line-out Port (FOX series)
- **P990FOX001**
Water-proof Cap Connector for LAN Port of FOX series (RJ-45-compliance)

Optional Accessories

- **9761F15000**
Wireless LAN Kits with Internal Antenna
- **1757910004**
AC Adapter (100W)
- **9783204012**
2.5" 40GB Automotive Hard Disk Drive
- **968C204859**
2GB Wide Temperature CompactFlash™ Disk Drive
- **968C409654**
4GB Wide Temperature CompactFlash™ Disk Drive
- **968C819215**
8GB Wide Temperature CompactFlash™ Disk Drive
- **968C016G06**
16GB Wide Temperature CompactFlash™ Disk Drive
- **1702031802**
Power Cord (US type) for Adapter
- **1702031803**
Power Cord (European type) for Adapter
- **170203180E**
Power Cord (Japanese type) for Adapter