

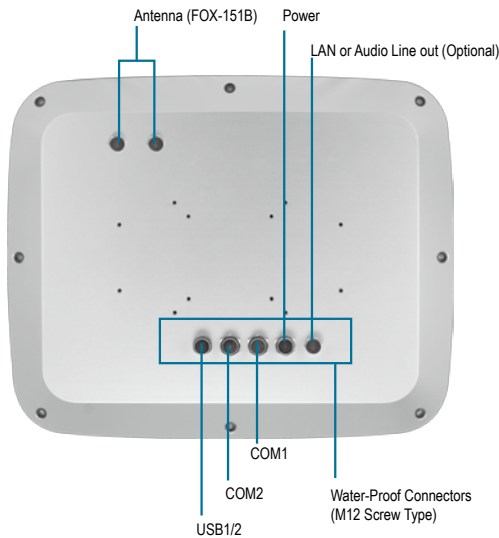
FOX-151/ 151B

IP-67, 15" Multi-Purpose & Water-Proof Panel PC With Intel® Atom™ N270 Processor

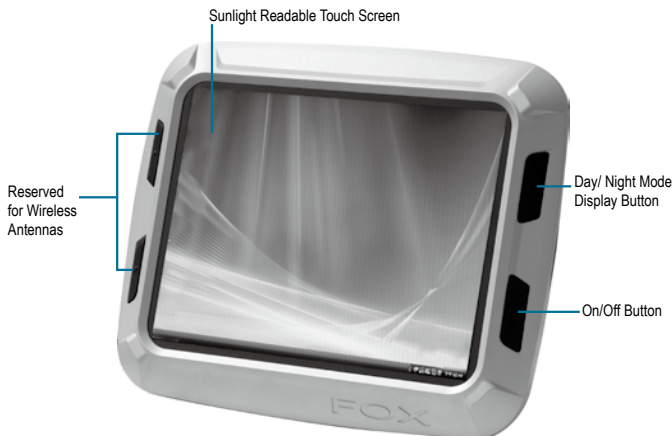
05

IP-67 Multi-Purpose and Water-Proof Solutions

FOX-151B



FOX-151



Features

- Onboard Intel® Atom™ N270 1.6 GHz Processor
- IP-67 Water-Proof Sealing Enclosure
- Marine Standard Test Procedure: IEC60945 ed.4 Compliant
- Anti-Fog Design: Optical Bonding
- 15" 250 Nits XGA CCFL Backlight (FOX-151BHST)
- 15" 800 Nits XGA LED Backlight (FOX-151BSTT)
- Wide Temperature Support: -20°C ~ 55°C
- Backlight On/Off & Brightness Adjustment
- Optional Water-Proof WiFi/ GPRS/ GPS Connector



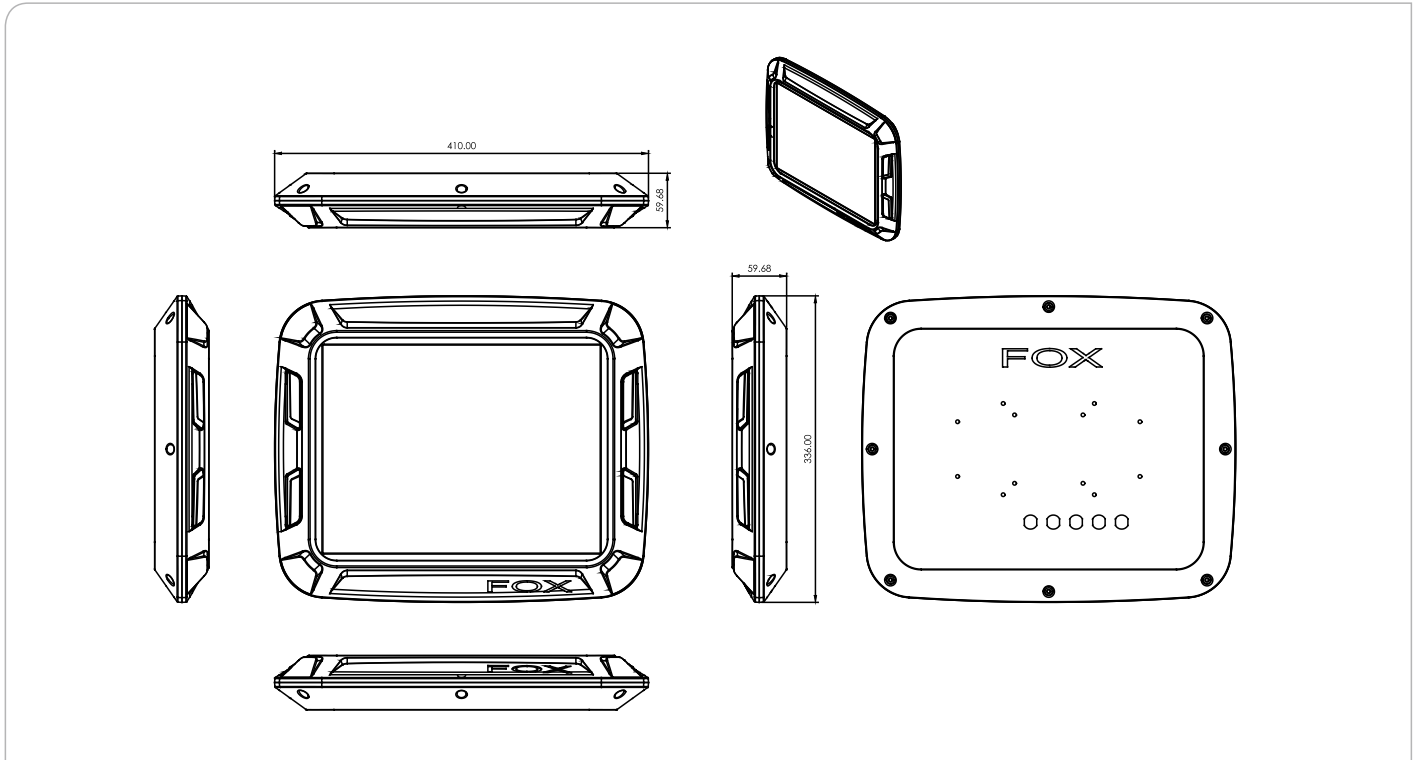
Specifications

System		
Processor	Intel® Atom™ N270 1.6 GHz Processor	
System Memory	DDR 2 SODIMM x 1, Max. 2 GB	
LCD/CRT Controller	Intel® 945GSE	
Ethernet	10/100/1000 Base-TX, RJ-45 connector x 1 (optional)	
Water-Proof I/O Port	RS-232 x 1, RS-232/422/485 x 1, USB2.0 x 2, Audio Line out x 1 (optional)	
Solid Storage Disk	SATA/IDE 2.5" Hard Disk Drive Bay (Anti-vibration)/ CompactFlash™ (Internal)	
OS Support	Windows® XP Pro for Embedded, Windows® XP Embedded, Windows® 7	
Mechanical		
Construction	Sealed Aluminum Alloy Chassis	
Color	Silver Gray	
Mounting	VESA 100/ 75mm	
Dimension	16.14" x 14.41" x 2.36" (410mm x 366mm x 60mm)	
Carton Dimension	20.39" x 18.62" x 8.74" (518mm x 473mm x 222mm)	
Gross Weight	19.8 lb (9 kg)	
Net Weight	16.5 lb (7.5 kg)	
Environmental		
Operating Temperature	-4°F ~ 131°F (-20°C ~ 55°C) (Ambient with Airflow)	
Storage Temperature	-4°F ~ 158°F (-20°C ~ 70°C)	
Storage Humidity	10 ~ 90%@35°C, non-condensing	
Vibration	3G Random Operation, 5~500Hz	
Shock	30G peak acceleration (11m sec. duration) / operation	
Safety	All sides of IP-67 Certificated, IEC 60945 ed.4	
EMC	CE/FCC Class A	
Power Supply		
DC-DC Input, 90W	Input Range: 9V ~ 30V DC	
LCD		
	FOX-151	FOX-151B
Display Type	15" TFT- LCD	15" TFT- LCD
Max. Resolution	1024 x 768	1024 x 768
Max. Color	16.7M colors	16.7M colors
Dot Size	0.297 x 0.297	HTT: 0.297 x 0.297 STT: 0.297 x 0.297
Luminance (Typical)	450 nits (TYP.)	HTT: 250 STT: 800
View Angle	160°(H)/160°(V)	HTT: 170°(H)/160°(V) STT: 160°(H)/140°(V)
Back Light MTBF (Hours)	50,000	HTT: 30,000 STT: 60,000

FOX-151/ 151B

Dimension

Unit: mm



Touchscreen	
Type	Low Reflection Analog Resistive (FOX-151STT) 5-wire, Analog Resistive (FOX-151HTT) 5-wire, Resistive (FOX-151B)
Resolution	2048 x 2048
Light Transmission	> 74% (8-wire analog resistive) > 80% (5-wire analog resistive)
Lifetime	2 million activations (8-wire analog resistive) 35 million activations (5-wire analog resistive)

Ordering Information

- **TF-FOX-151ST-A1**
Intel® Atom™ N270 1.6 GHz Operator Panel with 15" LCD, 1GB RAM, GbE LAN
- **TF-FOX-151ST-B1**
Intel® Atom™ N270 1.6 GHz Operator Panel with 15" LCD, 1GB RAM, Line out
- **TF-FOX-151HTT-A1**
Intel® Atom™ N270 1.6 GHz Operator Panel with 15" LCD, 1GB RAM, GbE LAN, Touch Screen
- **TF-FOX-151HTT-B1**
Intel® Atom™ N270 1.6 GHz Operator Panel with 15" LCD, 1GB RAM, Line out, Touch Screen
- **TF-FOX-151STT-A1**
Intel® Atom™ N270 1.6 GHz Operator Panel with 15" LCD Bonding, 1GB RAM, GbE LAN Ethernet, Low Reflection Touch Screen
- **TF-FOX-151STT-B1**
Intel® Atom™ N270 1.6 GHz Operator Panel with 15" LCD Bonding, 1GB RAM, Line out, Low Reflection Touch Screen
- **TF-FOX-151BHTT-A1-1010**
MPWP Panel PC, Intel® Atom™ N270 1.6GHz, 15" 250 nits with Bonding, DC 24V, R-TS, 1 GB RAM, LAN
- **TF-FOX-151BHTT A2-1010**
MPWP Panel PC, Intel® Atom™ N270 1.6GHz, 15" 250 nits with Bonding, DC 24V, R-TS, 1 GB RAM, LAN, 1 Antenna
- **TF-FOX-151BHTT -A3-1010**
MPWP Panel PC, Intel® Atom™ N270 1.6GHz, 15" 250 nits with Bonding, DC 24V, R-TS, 1 GB RAM, LAN, 2 Antennas

• TF-FOX-151BSTT-A1-1010

MPWP Panel PC, Intel® Atom™ N270 1.6GHz, 15" 800 nits with Bonding, DC 24V, R-TS, 1 GB RAM, LAN

• TF-FOX-151BSTT-A2-1010

MPWP Panel PC, Intel® Atom™ N270 1.6GHz, 15" 800 nits with Bonding, DC 24V, R-TS, 1 GB RAM, LAN, 1 Antenna

• TF-FOX-151BSTT-A3-1010

MPWP Panel PC, Intel® Atom™ N270 1.6GHz, 15" 800 nits with Bonding, DC 24V, R-TS, 1 GB RAM, LAN, 2 Antennas

Accessories in Packing

- **1700090208**
COM (D-SUB) Cable with Waterproof M12 Connector (FOX series)
- **1709080251**
Two USB Y Cables with Waterproof M12 Connector (FOX series)
- **M990FOX001**
3-pin Water-proof Cap Connector for DC-in or Audio Line-out Port (FOX series)
- **P990FOX001**
Water-proof Cap Connector for LAN Port of FOX Series (RJ-45-compliance)

Optional Accessories

- **9761F15000 (FOX-151)**
Wireless LAN Kits with Internal Antenna
- **1757910004**
AC Adapter (100W)
- **1702031802**
AC adapter Power Cord (US Type)
- **1702031803**
AC Adapter Power Cord (European Type)
- **170203180E**
AC Adapter Power Cord (Japanese Type)
- **9761F12100 (FOX-151B)**
GPRS/ GPS Kit
- **9461F121001 (FOX-151B)**
WiFi Kit, 802.11 b/g