

FPC-7500

Robust Box PC with Intel® Socket G Core™ i5/i7 Platform



Features

- Fanless Design
- Wide Range DC Power Input (10 ~ 28V)
- Serial Port with 5V/12V Power Output
- Rugged Design for Shock/Vibration Protection
- Rich Onboard I/O and Expansion Slots (1 x PCIe x8, 1 x Mini-card, 1 x SIM Socket)
- Support Various Video Interfaces (Analog RGB, DisplayPort)
- Support Outside Accessible CFAST Slot
- Support DDR3 SO-DIMM up to 8GB
- Easy Installation/Maintenance

System

CPU	Intel® Socket G Core™ i5/i7 series processors
Memory	2 x 204-pin Dual Channels DDR3 SO-DIMM Sockets up to 8GB at 800/1066MHz
Chipset	Intel® QM57
Graphics	Integrated Intel® HD Graphics controller
ATA	2 x Serial ATA ports with 300MB/s HDD transfer rate
LAN Chipset	2 x Intel® WG82574IT Gigabit Ethernet controllers
Watchdog Timer	1~255 levels reset
I/O	
Serial Port	1 x DB-44 female connector Support 4 x RS-232 ports (COM3, 4 is RS-232/485 selectable)
USB Port	8 x USB 2.0 ports
LAN	2 x RJ-45 ports for Gigabit Ethernet
Video Port	1 x DB-15 female connector for Analog RGB 1 x Displayport
Selectable Port	Either of Digital I/O or LPT 1 x 16-bit digital I/O, 8 in/8 out SPP/EPP/ECP mode for LPT
Audio	Mic-in/Line-out (6W pre-amplified)
KB/MS	1 x 6-pin Mini-DIN for Keyboard and Mouse
Expansion Bus	1 x PCIe x16 slot w/ riser card 1 x Mini-card slot 1 x SIM socket

Environmental

Operating Temp.	-20 ~ 55°C (-4 ~ 131°F), ambient w/ air flow
Storage Temp.	-40 ~ 85°C (-40 ~ 185°F)
Relative Humidity	10 ~ 95% @ 40°C (non-condensing)
Vibration	3 Grms/5~500Hz/random operation
Shock & Crash	Operating 20G (11ms), Non-operating 40G with HDD Operating 40G (11ms), Non-operating 60G with CF/SSD Crash 80G (11ms)

Qualification

Certification	CE, FCC
----------------------	---------

Recommended CPU list:

Core™ i7-620M PGA processor 2.66GHz with 4M cache
Core™ i5-520M PGA processor 2.4GHz with 3M cache
P4500 1.86GHz with 2M cache

Power Requirement

Power Input	DC 10~28V input (w/ 4-pin DC input terminal block combine remote power on/off switch)
Power Consumption	TBD

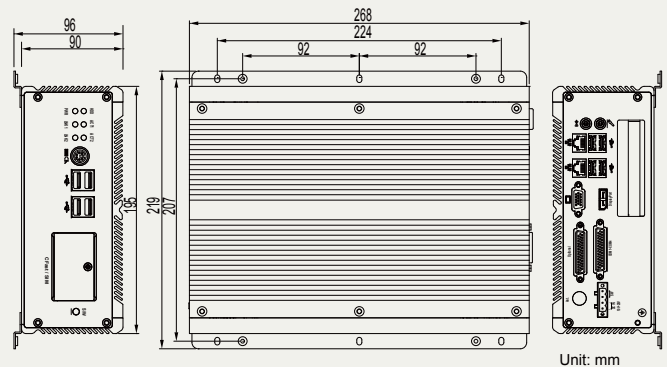
Storage

Type	1 x 2.5" drive bay for HDD/SSD 1 x CFAST Socket which can be outside accessible
-------------	--

Mechanical

Construction	Aluminum alloy
Mounting	Support wall-mounting/Din rail mounting
Weight	TBD
Dimensions (W x D x H)	195 x 268 x 90 mm (7.68" x 10.55" x 3.54")

Drawing



Ordering Information

FPC-7500	Barebone system w/o storage device, CPU, memory
DRK-001	Din rail kit of FPC series
WMK-7000	Wall-mount kit of FPC-7XXX
PAC-B120W	120W AC/DC adapter kit
SSD-25080	Intel® 2.5" 80GB SATAII SSD kit
CBL-7100-COM	COM converter cable (1*44-pin male to 4*DB-9 female + 1 x DB-9 female) L=200mm